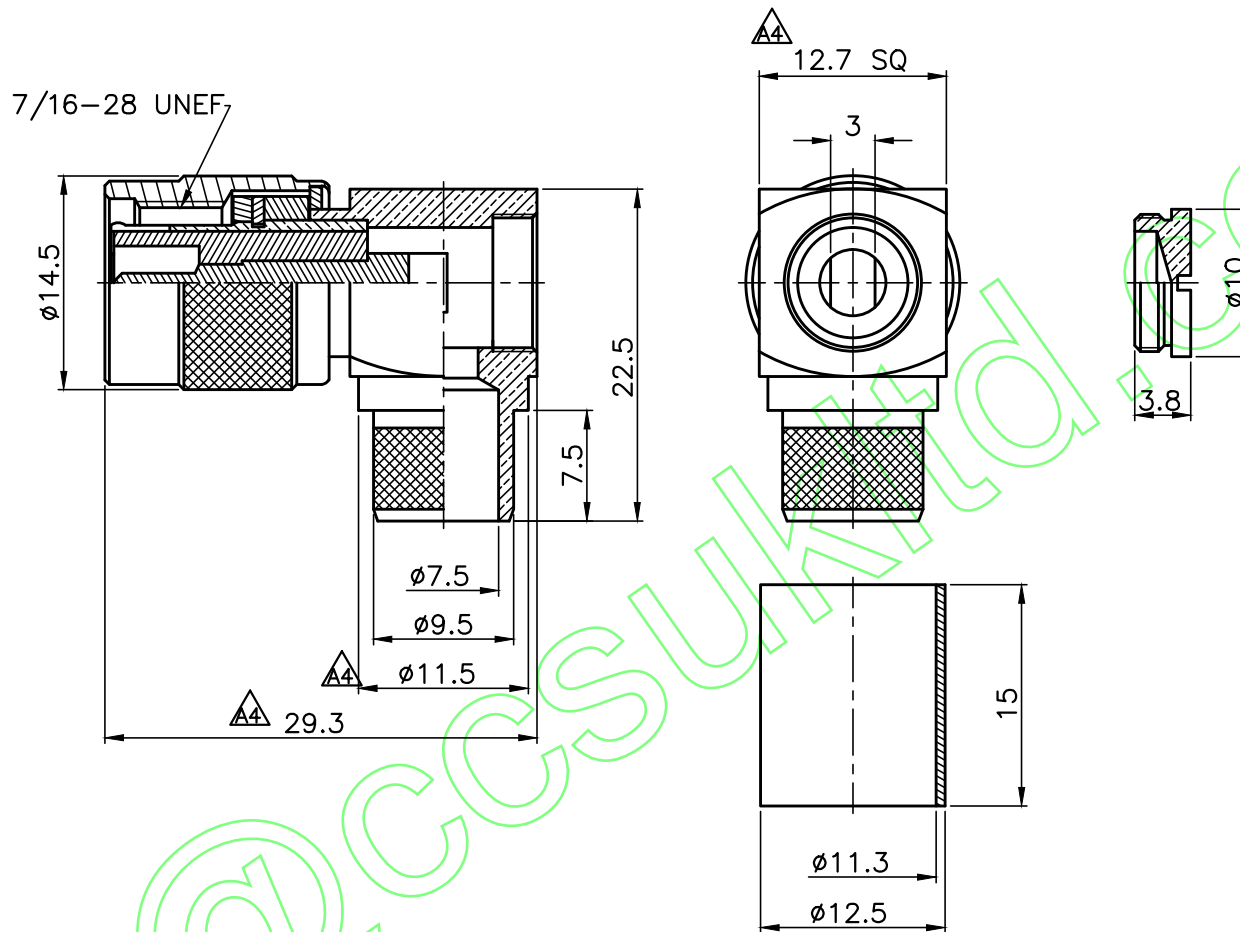


| REVISIONS |                    |
|-----------|--------------------|
| ISS       | DESCRIPTION \ DATE |
|           |                    |

RoHS COMPLIANT



CONNECTORS CABLES



SPECIALISTS LTD.

|       |  |
|-------|--|
| APRD: | UNLESS OTHERWISE SPECIFIED TOLERANCES<br>0.5-6 = ±0.2<br>>6-30 = ±0.4<br>>30-120 = ±0.6<br>>120-315 = ±1<br>>315-1000 = ±1.6<br>ANGLES = ±5° |
| CHKD: |  |
| DR:   |  |

TITLE: TNC MALE RIGHT ANGLE CRIMP  
(FOR RG214, RG213)

|                    |     |                 |          |
|--------------------|-----|-----------------|----------|
| PART NO: TPRACS214 | 030 | DATE: 06/08/18" | UNIT: mm |
| DRAWING NO:        | .   | SCALE: 2/1      |          |

|                 |          |        |
|-----------------|----------|--------|
| FERRULE         | BRASS    | NICKEL |
| COVER           | BRASS    | NICKEL |
| BRAID HOLDER    | BRASS    | NICKEL |
| SHELL           | BRASS    | NICKEL |
| WASHER          | STEEL    | NICKEL |
| RING            | BRASS    | NICKEL |
| WASHER          | STEEL    | NICKEL |
| GASKET          | RUBBER   | RED    |
| CONTACT PIN     | BRASS    | GOLD   |
| INSULATOR       | TEFLON   | WHITE  |
| BODY            | BRASS    | NICKEL |
| NO. DESCRIPTION | MATERIAL | FINISH |